

'S' SERIES Frame 850

Frame Reference SDL850 and SDT850

Motors manufactured to STEBON 'S' Series frame 850 are available in three basic enclosures:

- o SDL motors are the common flying lead design with 8 leads out and manufactured to IP22 rating.
- o SDT motors have a terminal box incorporated into the NDE bracket. The standard enclosure is to IP44. An alternative IP66 enclosure is also available.

Specification

- o Hybrid design.
- o 1.8° Step angle (200 steps per rev).
- o Unique two-phase winding for use with bipolar drives only.
- o Class F insulation to IEC 60085 and BS2757.
- o NEMA Size 34.
- o Bearing loading, axial, 160N max.
- o Bearing loading, radial, 250N max.

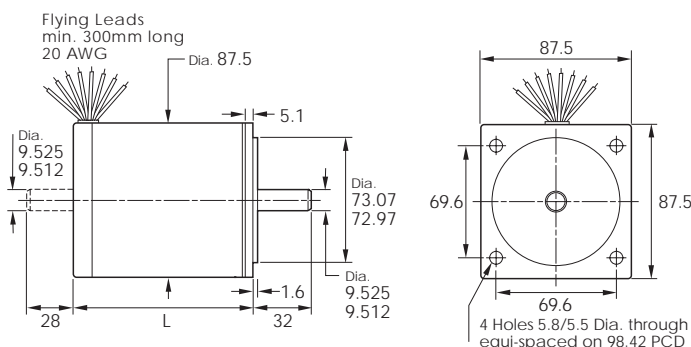


Ratings

Frame reference	Maximum Holding Torque Nm	Maximum Detent Torque Nm	Bipolar Amps per phase Amps	Resistance per phase Ohms	Inductance per phase mH	Rotor Inertia kgcm ²	Weight kg
SDL/SDT851-850-24	1.5	0.05	2.4	0.89	5.2	0.60	2.2
SDL/SDT851-480-32	1.5	0.05	3.2	0.48	3.2	0.60	2.2
SDL/SDT851-250-45	1.5	0.05	4.5	0.24	1.5	0.60	2.2
SDL/SDT851-100-70	1.5	0.05	7.0	0.10	0.6	0.60	2.2
SDL/SDT852-740-39	3.5	0.08	3.9	0.74	6.5	1.25	3.2
SDL/SDT852-380-56	3.5	0.08	5.6	0.37	3.2	1.25	3.2
SDL/SDT852-250-70	3.5	0.08	7.0	0.25	2.0	1.25	3.2
SDL/SDT852-200-79	3.5	0.08	7.9	0.19	1.6	1.25	3.2
SDL/SDT852-150-90	3.5	0.08	9.0	0.15	1.2	1.25	3.2
SDL/SDT853-1000-37	5.0	0.10	3.7	0.99	11.6	2.00	4.0
SDL/SDT853-500-54	5.0	0.10	5.4	0.50	5.6	2.00	4.0
SDL/SDT853-250-75	5.0	0.10	7.5	0.25	2.9	2.00	4.0
SDL/SDT853-200-85	5.0	0.10	8.5	0.20	2.3	2.00	4.0
SDL/SDT853-150-100	5.0	0.10	10.0	0.16	1.6	2.00	4.0
SDL/SDT853-100-120	5.0	0.10	12.0	0.11	1.2	2.00	4.0

Dimensions (mm)

SDL

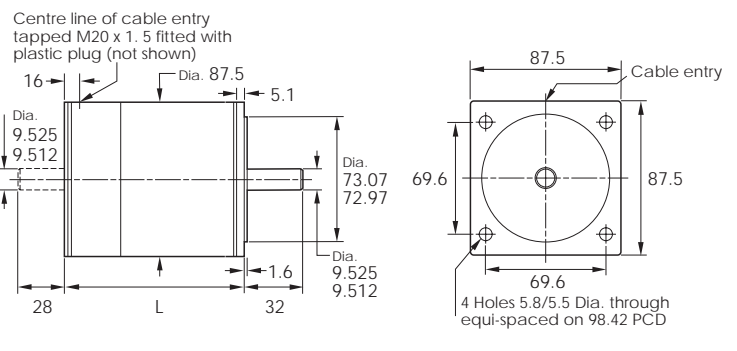


Frame size L
 (IP22)

SDL851	73
SDL852	105
SDL853	138

Note: SDL motors are available with the non-drive end shaft extension shown - - - - -

SDT



Frame size L L
 (IP44) (IP66)

SDT851	98	117
SDT852	131	149
SDT853	163	182

Note: SDT motors are available with the non-drive end shaft extension shown - - - - -