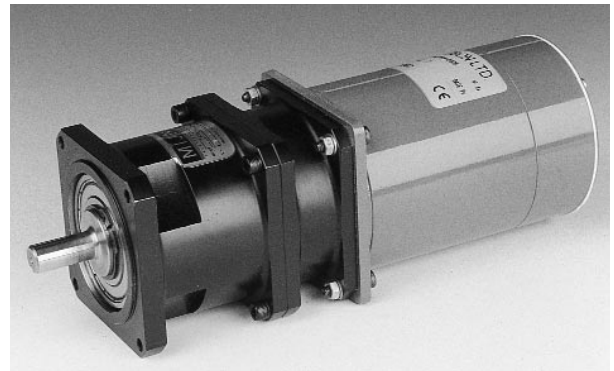


STEBON GEARED MOTORS FRAME G850

The STEBON Frame G850 geared stepper motors, designed to retain the standard stepper motor mounting flange, offer many features which make them an ideal choice on motion control systems.

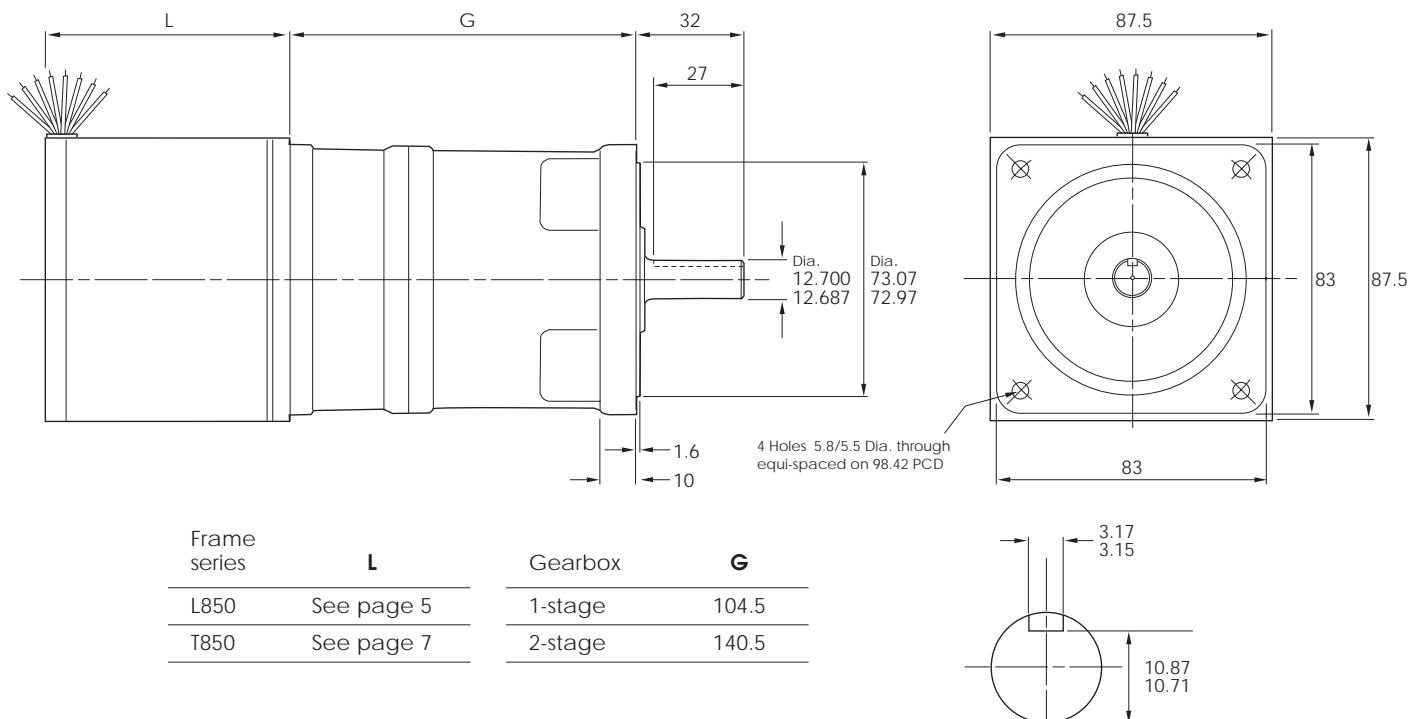
- o Maintenance free.
- o Low backlash – 20' standard.
- o High efficiency.
- o High load bearing capacity.
- o Needle bearings on planet gears for high accuracy.
- o Low friction torque.
- o Integer ratios.
- o Minimum inertia.
- o Other gearboxes available for special applications not covered by the standard range.



Gearbox Ratings

Input		1-stage				2-stage							
		4	5	7	10	16	20	25	35	50	70	100	
Ratio													
Rated speed	rpm	4000											
Max. speed	rpm	6000											
Rated torque	Nm	7.81	6.25	4.46	3.12	2.06	1.64	1.32	0.94	0.66	0.47	0.33	
Pulse torque	Nm	15.62	12.50	8.92	6.25	4.15	3.31	2.65	1.89	1.33	0.95	0.66	
Rated power	kW	3.27	2.62	1.87	1.31	0.86	0.69	0.55	0.39	0.26	0.20	0.14	
Output													
Rated speed	rpm	1000	800	571	400	250	200	160	114	80	57	40	
Rated torque	Nm	30	30	30	30	30	30	30	30	30	30	30	
Pulse torque	Nm	60	60	60	60	60	60	60	60	60	60	60	
Max. backlash	'	20/10											
Efficiency	%	96						91					

Dimensions (mm)



Frame series	L	Gearbox	G
L850	See page 5	1-stage	104.5
T850	See page 7	2-stage	140.5